

**174121 VAAMO2TC2D40FI100**

## Designation

VAAMO2TC2D40FI100 - Type 2+3, 2-poles, pluggable surge protection device (SPD) with internal backup fuse disconnecter.

## Domaine d'utilisation

### Tertiary and industrial buildings, hotels, hospitals

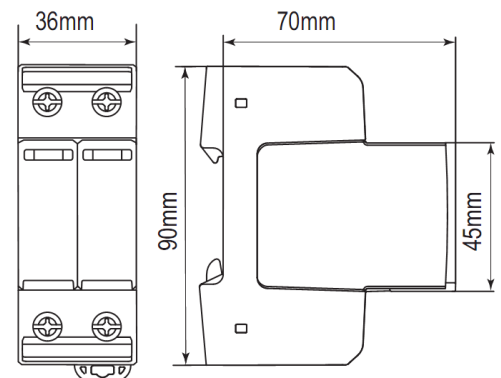
The VAAMO2TC2D40FI100 (174121) module is designed to protect electrical installations in TT, TN earthing systems. This device is to be connected generally downstream from the main circuit breaker; but can be used in downstream electrical board or to protect sensitive electronic equipment.

The backup fuse disconnecter is integrated; no additional disconnecter is needed.



## Caractéristiques

- Dimensions: (largeur) 2 modules standards.
- Mounting on a rail DIN 35.
- Nominal VOLTage  $U_n$  : 240/415Vac
- Max steady-state voltage  $U_c$  : 300Vac ;
- Compatibles earthing systems : TT / TN
- Protection level  $U_p$  : 1,5kV (L-PE);
- Open circuit voltage (T3)  $U_{oc}$  : 6kV
- Nominal discharge current  $I_n$ : 20kA
- Maximal discharge current  $I_{max}$ : 40kA
- Back up disconnecter : integrated fuse
- Short circuit withstand capacity  $I_{scrr}$  : 100kArms
- Internal connexion : CT1
- Compliance NF EN 61643-11 type 2 / type 3
- Température d'utilisation : -40/+85°C
- Connection terminals 25mm<sup>2</sup> / 35 mm<sup>2</sup> rigid
- Operating temperature range : -40/+85°C



## Product description

pluggable SPD. Type 2 / Type 3,  $I_n=20kA$ ,  $I_{max} 40kA$ ,  $U_p=1.5kV$ ,  $U_n = 240/415V$ ,  $U_c=300Vac$ . Integrated backup fuse,  $I_{scrr} 100kA$ .

## Accessories and spare parts

Spare parts :

- SPD cartridge, code 174604 VAAKT2PT1D40FI100

