

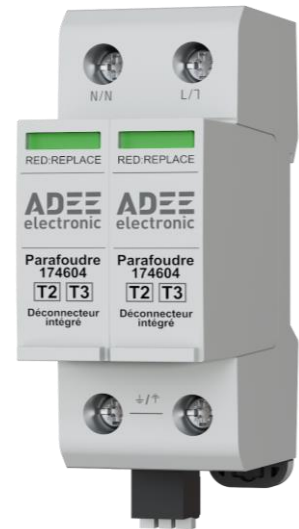
174131 VAAMO2TC2D40FI100TS
Designation

VAAMO2TC2D40FI100TS - Type 2+3, 2-poles, pluggable surge protection device (SPD) with internal backup fuse disconnecter with remote signalization contact.

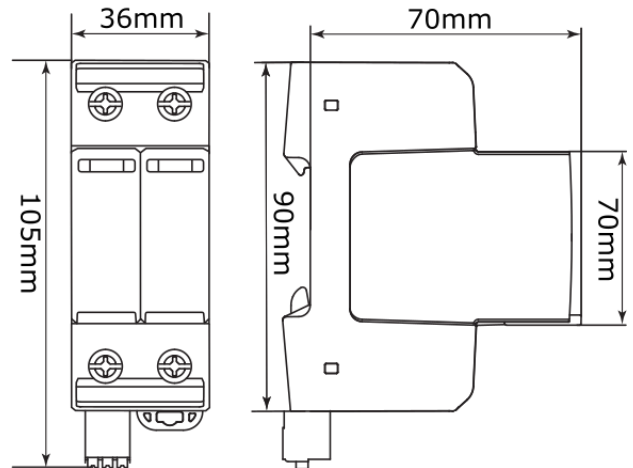
Domain of Use
Tertiary and industrial buildings, hotels, hospitals

The VAAMO2TC2D40FI100TS (174131) module is designed to protect electrical installations in TT, TN earthing systems. This device is to be connected generally downstream from the main circuit breaker; but can be used in downstream electrical board or to protect sensitive electronic equipment.

The backup fuse disconnecter is integrated; no additional disconnecter is needed.


Caracteristics

- Dimensions: (width) 2 modules standards.
- Mounting on a rail DIN 35.
- Nominal Voltage U_n : 240/415Vac
- Max steady-state voltage U_c : 300Vac ;
- Compatibles earthing systems : TT / TN
- Protection level U_p : 1,5kV (L-PE);
- Open circuit voltage (T3) U_{oc} : 6kV
- Nominal discharge current I_n : 20kA
- Maximal discharge current I_{max} : 40kA
- Back up disconnecter : integrated fuse
- Short circuit withstand capacity I_{sc} : 100kArms
- Internal connexion : CT1
- Compliance NF EN 61643-11 type 2 / type 3
- Température d'utilisation : -40/+85°C
- Connection terminals 25mm² / 35 mm² rigid
- Operating temperature range : -40/+85°C
- Remote signalization Contact : NO/NC (1A/250Vac, 0.5A/48Vdc) section 1.5mm²


Product description

pluggable SPD. Type 2 / Type 3, $I_n=20kA$, I_{max} 40kA, $U_p=1.5kV$, $U_n = 240/415V$, $U_c=300Vac$. Integrated backup fuse, I_{sc} 100kA.

Accessories and spare parts

Spare parts :

- SPD cartridge, code 174604 VAAKT2PT1D40FI100

