

**174172 VAAMO2IC3D30FI100TS**
**Designation**

VAAMO2IC3D30FI100TS - Type 2+3, 3-poles, pluggable surge protection device (SPD) with internal backup fuse disconnecter with remote signalization contact.

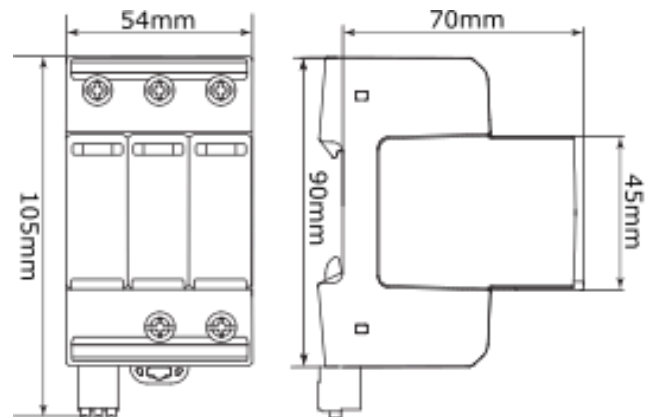
**Domain of Use**
**Tertiary and industrial buildings, hotels, hospitals**

The VAAMO2IC3D30FI100TS (174172) module is designed to protect electrical installations in TT, TN or IT earthing systems. This device is to be connected generally downstream from the main circuit breaker; but can be used in downstream electrical board or to protect sensitive electronic equipment.

The backup fuse disconnecter is integrated; no additional disconnecter is needed.


**Characteristics**

- Dimensions: (width) 3 modules standards.
- Mounting on a rail DIN 35.
- Nominal Voltage  $U_n$  : 230/400Vac
- Max steady-state voltage  $U_c$  : 440Vac ;
- Compatibles earthing systems : TT, TN or IT
- Protection level  $U_p$  : 2,0kV (L-PE);
- Residual voltage  $U_{res}$  @5kA : 1,5kV (L-PE);
- Open circuit voltage (T3)  $U_{oc}$  : 6kV
- Nominal discharge current  $I_n$ : 15kA
- Maximal discharge current  $I_{max}$ : 30kA
- Back up disconnecter : integrated fuse
- Short circuit withstand capacity  $I_{scrr}$  : 100kArms
- Internal connexion : CT1
- Compliance NF EN 61643-11 type 2 / type 3
- Température d'utilisation : -40/+85°C
- Connection terminals 25mm<sup>2</sup> / 35 mm<sup>2</sup> rigid
- Operating temperature range : -40/+85°C
- Remote signalization Contact : NO/NC (1A/250Vac, 0.5A/48Vdc) section 1.5mm<sup>2</sup>


**Product description**

pluggable SPD. Type 2 / Type 3,  $I_n=15kA$ ,  $I_{max}$  30kA,  $U_p=2,0kV$ ,  $U_{res}@5kA$  1,5kV,  $U_n = 230/400V$ ,  $U_c=440Vac$ . Integrated backup fuse,  $I_{scrr}$  100kA.

**Accessories and spare parts**

Spare parts :

- SPD cartridge, code 174602 VAAKT2P1D30FI100

