

176072 VAAMO1IC3D12TIVTS
Designation

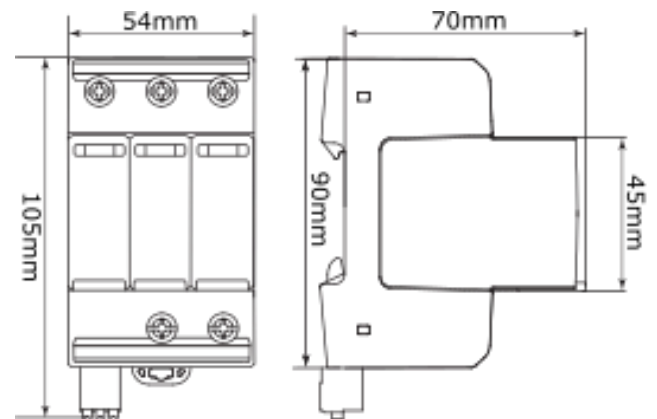
VAAMO1IC3D12TIVTS - Type 1+2, 3-poles, pluggable surge protection device (SPD) with remote signalization contact.

Domain of Use

The VAAMO1IC3D12TIVTS (176072) module is designed to protect electrical installations in TT, TN or IT earthing systems. This device is to be connected generally downstream from the main circuit breaker; and is compatible with LPS equipped buildings.

Caracteristics

- Dimensions: (width) 3 modules standards.
- Mounting on a rail DIN 35 / IP20
- Nominal Voltage U_n : 230/400Vac
- Max steady-state voltage U_c : 4400Vac ;
- Compatibles earthing systems : TT / TN or IT
- Protection level U_p : 1,8kV (L-PE);
- Residual voltage @5kA = 1,4kV
- Impulse discharge current : I_{imp} 12.5kA (10/350 μ s)
- Nominal discharge current I_n : 20kA
- Maximal discharge current I_{max} : 50kA
- Back up disconnector : integrated fuse
- Short circuit withstand capacity I_{scrr} : 100kArms
- Internal connexion : CT1
- Compliance NF EN 61643-11 type 1+2
- back up fuse recommended 125AgG (max 250AgG).
- TOV 120min fail mode : fail safe
- Température d'utilisation : -40/+85°C
- Connection terminals 25mm² / 35 mm² rigid
- Operating temperature range : -40/+85°C
- Remote signalization Contact : NO/NC (1A/250Vac, 0.5A/48Vdc) section 1.5mm²


Product description

pluggable SPD. Type 1+2, I_{imp} 12.5kA per pole , $I_n=20kA$, I_{max} 50kA, $U_p=1.5kV$, $U_n = 230/400V$, $U_c=440Vac$. I_{scrr} 100kA, back up fuse recommended 125AgG (max 250AgG).

Accessories and spare parts

Spare parts :

- SPD cartridge, code 176503 VAAKT1PI1D12T1

