

177070 VAAMO1IC3D25TIVTS

Designation

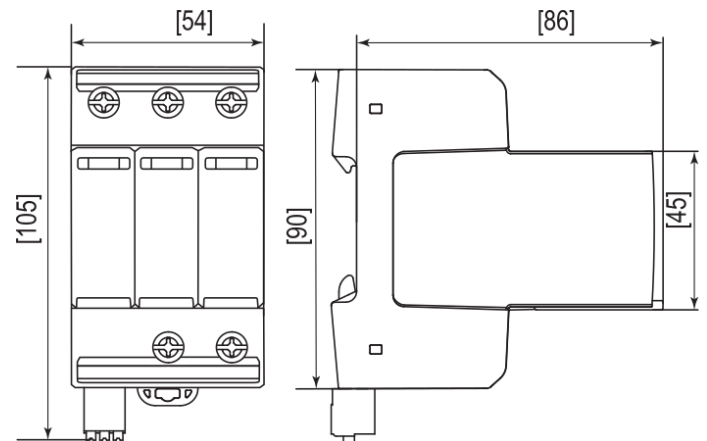
VAAMO1IC3D25TIVTS - Type 1+2, 3-poles, pluggable surge protection device (SPD) with remote signalization contact.

Domain of Use

The VAAMO1IC3D25TIVTS (177070) module is designed to protect electrical installations in TT, TN earthing systems. This device is to be connected generally downstream from the main circuit breaker; and is compatible with LPS equipped buildings.

Caracteristics

- Dimensions: (width) 3 modules standards.
- Mounting on a rail DIN 35 / IP20
- Nominal Voltage U_n : 240/415Vac
- Max steady-state voltage U_c : 440Vac ;
- Compatibles earthing systems : TT / TN or IT
- Protection level U_p : 2,5kV (L-PE);
- Residual voltage @5kA = 1.5kV
- Impulse discharge current : I_{imp} 25kA (10/350 μ s)
- Nominal discharge current I_n : 25kA
- Maximal discharge current I_{max} : 65kA
- Back up disconnector : integrated fuse
- Short circuit withstand capacity I_{sc} : 100kArms
- Internal connexion : CT1
- Compliance NF EN 61643-11 type 1+2
- back up fuse max 250AgG
- TOV 120min fail mode : fail safe
- Température d'utilisation : -40/+85°C
- Connection terminals 25mm² / 35 mm² rigid
- Operating temperature range : -40/+85°C
- Remote signalization Contact : NO/NC (1A/250Vac, 0.5A/48Vdc) section 1.5mm²



Product description

pluggable SPD. Type 1+2, I_{imp} 25kA per pole , $I_n=25kA$, I_{max} 65kA, $U_p=2.5kV$, $U_n = 240/415V$, $U_c=440Vac$. I_{sc} 100kA, back up fuse recommended max 250AgG

Accessories and spare parts

Spare parts :

- SPD cartridge, code 177501 VAAKT1PID25TI

